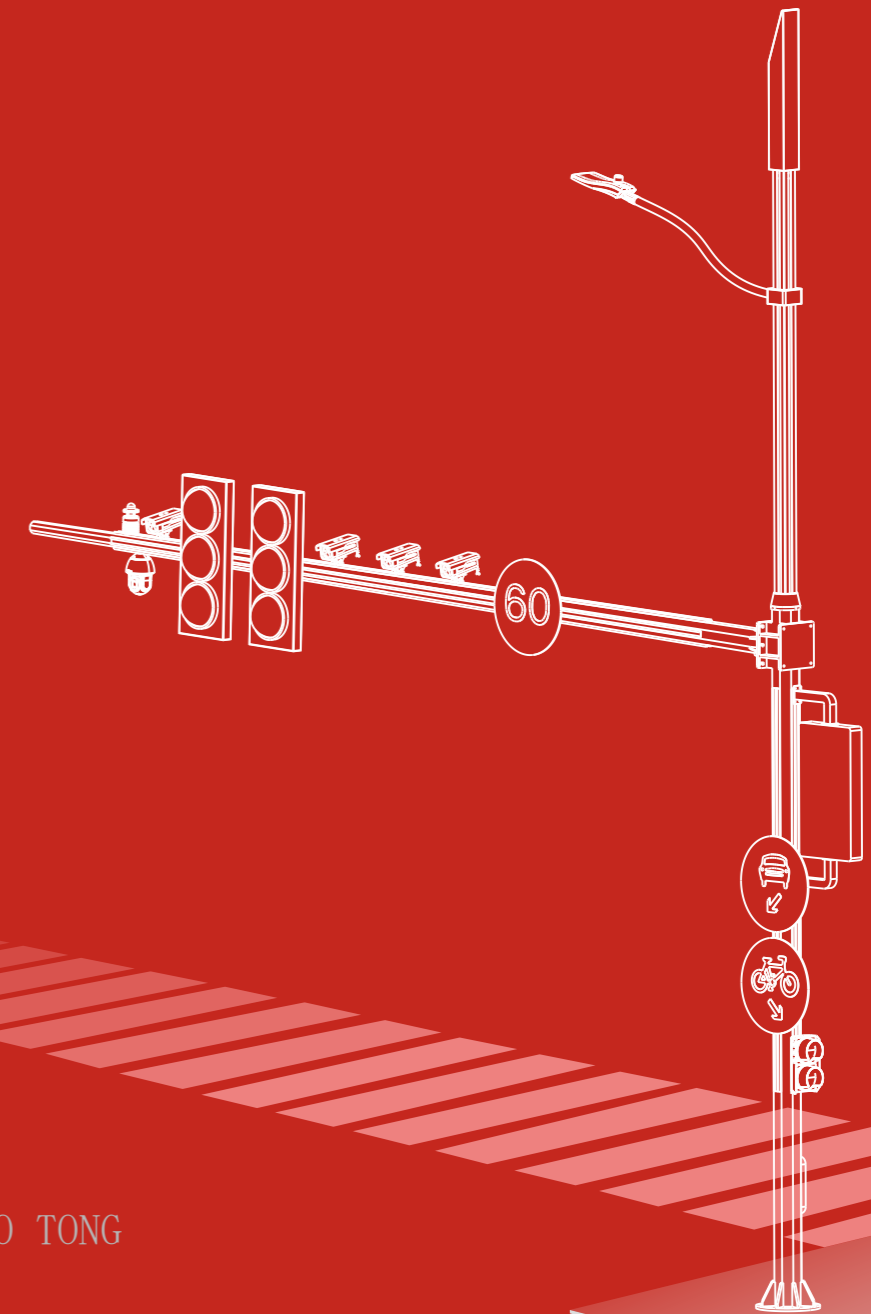


2021版
CHUANG LV JIAO TONG

PROFESSIONAL SERVICE PROVIDER



CHUANG LV JIAO TONG



 Jiangsu Chuanglv Transportation Facilities Co., Ltd.



Phone:+86 15252792232
E-mail:chlai@clsolarlights.com
Website:www.clsolarlights.com
Address:Gaoyou Guoji Town Industrial Zone, Yangzhou City, Jiangsu Province, China.





Jiangsu Chuanglv Transportation Facilities Co., Ltd. is located in Yangzhou, Jiangsu Province, the hometown of street lamps in China, a manufacturing base for road transportation facilities and a famous historical and cultural city. Our company specializes in the R&D and production of traffic lights, electronic police, road reflective signs, security monitoring and supporting poles, street lights, solar street lights, garden lights, solar garden lights and other road traffic facilities and equipment and series of urban road lighting and sales. The company currently has advanced equipment with high precision and high degree of automation such as robot automatic welding technology, large-scale optical fiber phase pipeline cutting equipment and precise blanking. At the same time, the automated electrostatic spraying assembly line has replaced the traditional manual spraying. While pursuing craftsmanship, Chuanglv Transportation still pays close attention to details and strives to satisfy every customer! While satisfying the domestic market, the company's products are exported to Europe, the United States, Canada, South Africa, Southeast Asia, Africa and other countries, and have been widely recognized by domestic and foreign customers.

Traffic signs are an indispensable part of the road traffic product system. It is a sign that uses text and graphic symbols to convey instructions, directions, warnings, prohibitions and other signals to vehicles and pedestrians. It tells you the direction of the road, the name of the road, and gives guidance; tells you that there are forks, detours, and mountain roads ahead, and warns you; tells you which roads are forbidden to pass, which roads are forbidden to turn left; tell you where you can park and where you can cross the road etc. The emergence of traffic lights reduces the workload of the traffic police, and only with signal lights can there be such an orderly city. With these signs, it is clear at a glance when driving and walking. It also ensures your driving and walking safety.



Road Reflective Sign

Road Reflective Sign Pole

LED Signal Light

- Motor Vehicle Signal Light
- Crosswalk Signal Light

LED Signal Light Pole

LED Monitoring Pole

TRANSPORTATION PRODUCTS

Road Reflective Sign

Traffic signs are graphic symbols displaying traffic regulations and road info, vividly expressing rules and vital information. Facilitate smooth, safe driving on highways, urban roads, and special highways, possessing legal authority for vehicles and pedestrians.

Classification of Traffic Signs

Traffic signs are divided into two categories: main signs and auxiliary signs. The main road signs are mainly divided into warning signs, prohibition signs, indication signs, directional signs, tourist area signs, road construction safety signs, and speed limit signs. Auxiliary signs are attached below the main signs and serve as supplementary explanations.

Traffic Sign Reflective Film Level

(1) Chinese reflective film level

Engineering grade reflective film (PET type)

Features: not easy to tear, easy to operate, no screen printing

Main application areas: road traffic signs, industrial safety signs

Service life: 5 years/7 years

Specifications: 1.22m*45.7m

High-strength grade/super-strength grade/diamond grade/reflective film (acrylic type)

Features: Imported film surface, can be screen printed

Main application areas: traffic signs of high-grade highways and urban roads, reflective film for vehicles, ships and other vehicles

Service life: 10 years

Specifications: 1.22m*45.7m



(2) 3M Reflective Film Level

The third generation diamond grade 4090 series

Standard: Chinese standard five types of reflective film

Model: 4090 (white) / 4091 (yellow) / 4092 (red) / 4095 (blue) / 4097 (green)

Service life: 10 years 70% brightness retention value

Adhesive type: normal temperature pressure sensitive adhesive

Specifications: 1.219m * 45.72m wide-angle visibility

Features: Strong reflective brightness, full-angle reflection, excellent performance

Application: high-grade highway traffic signs.

Super Class 3930 Series

Standard: Chinese standard four types of reflective film

Model: 3930 (white) / 3931 (yellow) / 3932 (red) / 3935 (blue) / 3937 (green)

Service life: 10 years 70% brightness retention value

Adhesive type: normal temperature pressure sensitive adhesive

Specifications: 1.219m * 45.72m

Features: Prism-type reflective film, the reflective intensity is more than 2 times that of high-grade, and the service life is long.

High Strength 3870 Series

Standard: Chinese standard three types of reflective film

Model: 3870 (white) / 3871 (yellow) / 3872 (red) / 3875 (blue) / 3877 (green) / 3879 (brown)

Service life: 10 years 70% brightness retention value

Adhesive type: normal temperature pressure sensitive adhesive

Specifications: 1.219m * 45.72m

Features: Prism-type reflective film, the reflective intensity is more than 2 times that of high-grade, and the service life is long.

Engineering Grade EGP 3400 Series

Standard: national standard class I reflective film

Model: 3430 (white) / 3431 (yellow) / 3432 (red) / 3435 (blue) / 3437 (green)

Service life: 7 years 50% brightness retention value

Adhesive type: normal temperature pressure sensitive adhesive

Specifications: 1.219m * 45.72m

Features: wide range of use

LED Luminous Signs

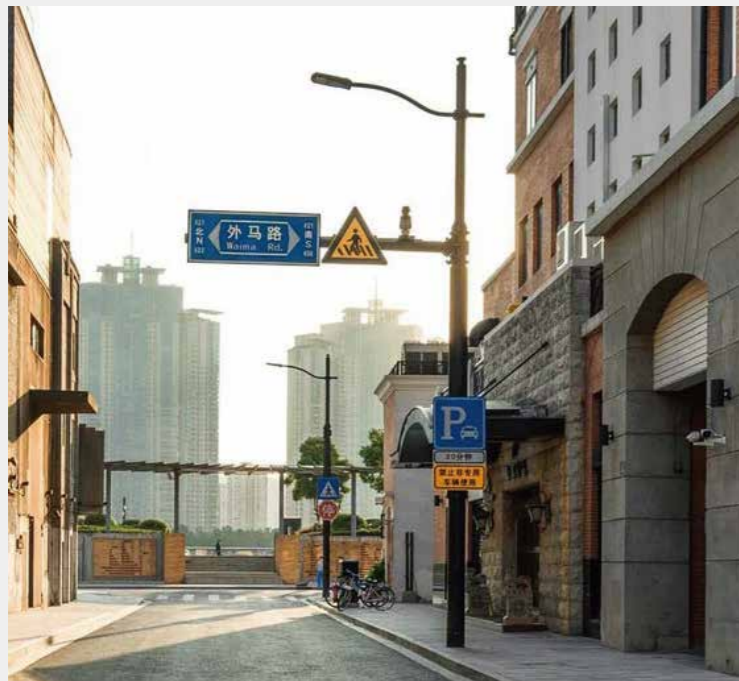
The visual recognition distance is improved and safety is more guaranteed. Research shows that active light-emitting signs can increase the visual recognition distance by 46-63%. It can avoid road traffic accidents caused by insufficient visual distance, unclear visual recognition, and unclear direction. Application evidence shows that it can reduce traffic accidents on application sections by more than 70%. Visible in bad weather, significant safety benefits. The contrast of key information of active light-emitting signs at night and in bad weather conditions is increased by 25%-38%, which can directly improve visual recognition performance and thereby improve active safety.



Road Reflective Sign Pole

Sign poles are also called sign steel poles. They are generally divided into F type and gantry type. Specific specifications can be customized and processed according to customer requirements. Sign poles are commonly used specifications and are made of high-quality straight seam steel pipes, seamless steel pipes, square pipes and steel plates. Shaped into octagon or circle. Use welded steel pipe or seamless steel pipe, material Q235 or Q345; The overall inner and outer surfaces are hot-dip galvanized, the galvanizing thickness is not less than 86 μm, and it will not rust for 30 years; the outer surface is spray-painted, the plastic powder layer thickness is not less than 95 μm, and it will not fade or fall off within 5 years; Suitable for urban roads, express lanes, viaduct intersections or T-intersections.





Traffic sign poles are equipment used to manage traffic by conveying information to road users through colors, shapes, characters, graphics, etc. Traffic signs should be set up according to the road and traffic conditions. Traffic signs provide accurate and timely information and guidance, allowing road users to reach their destinations smoothly and quickly, promoting smooth traffic and driving safety.

The main functions of traffic sign poles are:

1. Provide route information and play the role of route language.
2. Direct and control traffic to ensure traffic safety.
3. Provide guidance and improve driving efficiency.
4. Provide legal basis for the traffic management department.



Road Reflective Sign Pole Processing Technology And Process



Sign pole production process flow

(1) Blanking (2) Bending → (3) Main seam welding → (4) Repair and grinding → (5) Shaping → (6) Assembly and welding → (7) Accessory processing and welding → (8) Polishing → (9) Factory inspection before galvanizing (10) Hot-dip galvanizing → (11) Shaping → (12) Grinding and plastic spraying → (13) Packaging (14) Final inspection → (15) Shipping

Complete production process of rod products

1. Cutting and cutting

All materials with thickness $\leq 12\text{mm}$ are cut by CNC plasma, and materials with thickness $> 12\text{mm}$ are cut by CNC flame cutting or shearing. The tolerance of CNC plasma cutting is $\pm 2\text{mm}$, and the tolerance of CNC flame cutting or shearing is $\pm 3\text{mm}$.

2. Bending

Bending is a key process in the production of light poles. The quality of the bending directly affects the quality of the light poles and cannot be repaired after bending.

3. Welding

All main materials $\leq 6\text{mm}$ are welded by automatic gas shielded welding, thickness $> 6\text{mm}$ are welded by automatic submerged arc welding, and all flanges and stiffeners are welded by manual gas shielded welding. The welds are full and smooth, without defects such as pores, false welds, missing welds, and undercuts.

4. Repair and polish

Repair and grinding is to repair the defects at both ends of the automatically welded steel pipe. Repair personnel should inspect each root one by one and repair any defective areas found. After the repair welding is completed, grinding is performed. The grinding joints are basically the same as automatic welds.

5. Plastic surgery

The shaping process includes the straightening of the light pole and the full circle and polygonal diagonal dimensions at both ends of the blank pole.

6. Welding flange

Spot welding the bottom flange and rib plate, the key is to ensure that the bottom flange is perpendicular to the straight center line of the lamp, and the rib plate is perpendicular to the bottom flange.

7. Open the door

See the drawing clearly to determine the direction of the door and position it according to the size of the drawing. When plasma cutting, make sure the cutting seam is straight and code it at the same time.

8. Welding door strips, electrical strips, and lock seats

When spot welding, the door strip should be close to the light pole and the welding should be firm. Determine the position according to the drawing, and weld the lock seat in the middle of the door, keeping the top level and not exceeding the light pole.

9. Galvanized

The quality of galvanizing directly affects the quality of the light pole. The surface after plating is smooth, has no color difference, and cannot have sagging. Lamp poles with serious sagging must be re-plated.

10. Plastic spraying

The purpose of plastic spraying is firstly for appearance, and secondly for corrosion prevention; the temperature and holding time of the drying room must be strictly in accordance with the requirements of each plastic powder to ensure the adhesion and smoothness of the plastic powder and other quality requirements.

11. Factory inspection

The company's quality inspectors will conduct factory inspections. The inspectors must inspect the light poles one by one according to the light pole inspection items. Records must be kept and archived at the same time, and the goods can be shipped only after the quality inspector's signature.



Pole cutting

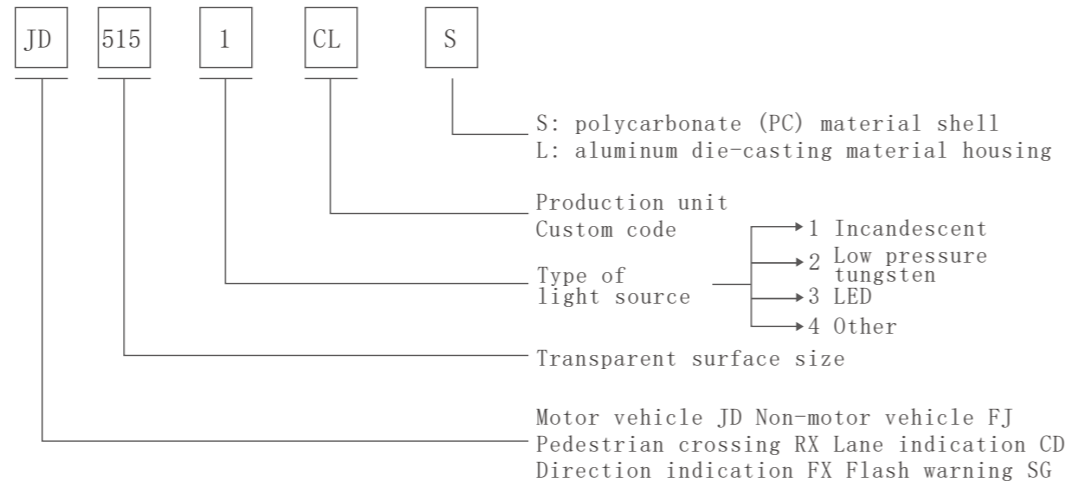
Pole welding and grinding

After the pole is sprayed

Road Reflective Sign Pole Project Case



Signal lamp model name (China GB14887-2003 standard)



Road traffic lights are an important device to strengthen road traffic management, reduce traffic accidents, improve road use efficiency, and improve traffic conditions.

LED Signal Light Characteristics

- The light source uses ultra-high brightness four-element LED light-emitting diodes: high light intensity, low attenuation, and long life; and uses constant current power supply: high reliability, strong stability, and wide voltage adaptability range;
- The lamp housing is made of disposable aluminum die-casting or engineering plastic injection molding;
- The lamp body can be combined with any number of lamp screens;
- The lamp cover has a V-shaped design, no tools are needed, just twist it by hand;
- Double sealing, ultra-thin design, never deformed, extremely light weight, easy to install;
- The lamp body can be installed in any direction (horizontally, vertically);
- One screen and one color, two colors or one screen and three colors can be customized;
- Full screen, arrow, human row or other styles can be customized.

LED Motor Vehicle Signal Light

The light source adopts imported ultra-high brightness LED. The lamp housing is made of disposable aluminum die-casting or engineering plastic (PC) injection molding. The diameter of the light-emitting surface of the lamp panel is 300mm or 400mm. The lamp body can be assembled in any combination and installed horizontally or vertically. The light-emitting unit is single color.



The red, yellow and green split screens display one screen and one color.

Red, yellow and green split screen display, yellow full screen contains two-color countdown.

Red, yellow and green are displayed on the same screen, three colors on one screen, and the countdown is displayed in two colors.

Red, yellow and green are displayed on the same screen, three colors on one screen.

LED Direction Indicator Light

Combined signals are only used at intersections with a large number of pedestrians/non-motorized vehicles in central or commercial areas of the city and with individual left-turn and right-turn lanes to control left-turn and right-turn vehicles separately.



The red, yellow and green arrows are displayed in split screens, one screen with one color.

The red, yellow and green arrows are displayed in split screens, one screen with one color.

The red and green arrows are displayed in split screens, one screen and one color, and the middle yellow screen is filled with two-color countdown.

Red, yellow and green arrows are displayed on the same screen, with three colors on one screen, and two colors for the countdown.



Red and yellow full screen and green arrow split screen display, one screen one color.



Red and yellow full screen and green arrow split screen display, one screen one color.



Technical Parameters

Lamp Diameter	φ 300mm φ 400mm
Chroma	Red(620-625) Green(504-508) Yellow(590-595)
Working Power	DC12/24V or AC187V-253V 50HZ
Rated Power	φ 300mm < 10W φ 400mm < 20W
Light Source Service Life	≥ 50000 Hour
Ambient Temperature	-40°C ~ +70°C
Relative Humidity	≤ 95%
Reliability	MTBF ≥ 10000 Hour
Maintainability	MTTR ≤ 0.5 Hour
Degree of Protection	IP55

LED non-motor vehicle signal light

The light source adopts imported ultra-high brightness LED. The lamp housing is made of disposable aluminum die-casting or engineering plastic (PC) injection molding. The diameter of the light-emitting surface of the lamp panel is 300mm or 400mm. The lamp body can be assembled in any combination and installed horizontally or vertically. The light-emitting unit is single color.



The red, yellow and green arrows are displayed in split screens, one screen with one color.



Red, yellow and green non-motor vehicles are displayed on separate screens, one screen and one color.



Red, yellow and green non-motor vehicles are displayed on the same screen, and the countdown is two-color.



Red and green non-motor vehicles are displayed on separate screens, one screen and one color.



Red and green non-motor vehicles are displayed on the same screen, and the countdown is in two colors.



Red, yellow and green or red and green non-motor vehicles are displayed on the same screen.

LED Crosswalk Signal Light

A set of signal lights consisting of a red pedestrian standing pattern inside and a green pedestrian walking pattern inside to guide pedestrians to pass.



Reverse format pedestrian signal lights, red and green people and red and green light strips are displayed on the same screen.



Red and green split screen display, one screen one color.



Red and green are displayed on the same screen, and the countdown is in two colors.



Palm-type pedestrian lights, red and green split screen display.

• Double cantilever signal light pole



Beacon Pole Features

Signal light poles are divided into octagonal, cylindrical, and conical signal light poles according to type. According to the structure, it can be divided into single cantilever, double cantilever, frame, and integrated signal light pole.

Technological Process of Signal Light Pole

1. Traffic signal light pole structure: vertical pole, connecting flange, styling arm, mounting flange and embedded steel frame structure.
2. Traffic light pole production and manufacturing structure processing technology:
 - a. The vertical pole and transverse arm should be made of straight seam welded pipe or seamless pipe; the connecting end should be the same straight seam/seamless steel pipe as the horizontal arm;
 - b. The vertical pole is connected to the basic flange plate and embedded bolts;
 - c. The interface between the horizontal support arm and the edge of the vertical pole uses a flange connection;
 - d. Carry out electric welding and lifting plate maintenance on all connecting parts.
3. The surface of the pole and main components should be smooth and smooth, and the welding should be smooth, smooth, solid and reliable, without defects such as air outlets, welding penetration, false connections and false welds.
4. Pole surface treatment: hot zinc electrostatic powder spraying treatment.

Technical Parameters

Lamp Body	Φ300mm/Φ400mm	Working Power	DC12V-24V or AC187V-253V 50HZ
Pole Height	6.5~6.8m	Chroma	Red (620-625) Green (504-508) Yellow (590-595)
Arm Length	3~19m	Rated Power	300mm<10w, 400mm<20w
Main Rod Wall Thickness	4~12mm	Ambient Temperature	-40℃~+70℃
Crossbar Wall Thickness	3~8mm	Light Source Service Life	>10000Hours
Lamp Diameter	Φ300mm/Φ400mm	Degree of Protection	IP55
Light Pole Material	welded steel pipe or seamless steel pipe material Q235 or Q345	Anti-corrosion Treatment	The entire inner and outer surfaces are hot-dip galvanized, with a thickness of not less than 86 μm; the outer surface is spraycoated, with a thickness of not less than 95 μm.

The opening position of the rod and the accessories required for the installation of the equipment shall be determined according to the actual measurement on the construction site







• Single cantilever signal light pole

Single Cantilever signal Light Pole

This type of signal light pole is also known as: L-shaped cantilever signal light pole, 7-shaped signal light pole, octagonal pyramid signal light pole, etc.

Its advantages are simple and elegant design, strong wind and earthquake resistance, and suitable for intersections such as urban trunk roads, expressways, provincial highways, and ring expressway connections. It is recommended to install 2 to 4 sets of signal lights. The signal lights should be installed vertically/horizontally. Installation method. Using external signal lights, the three lights are installed vertically/horizontally and independently. More than three sets of signal lights and a set of three-color or two-color countdown timers can be set at the same time. The cantilever can hang ban signs. The signal lights are installed vertically/horizontally, with a clearance height of 5.5m.







-  Flexible installation
-  Quality assurance
-  Support customization
-  Efficient professional

Double cantilever signal light pole

This type of signal light pole is also called: F-type traffic sign pole, T-type traffic sign pole.

Its advantages are simple and elegant design, strong wind and earthquake resistance, and suitable for intersections such as urban main roads, expressways, provincial highways, and ring expressway connections. It is recommended to install 2 to 4 sets of signal lights. The signal lights should be installed horizontally. External signal lights are used. The three lights are installed horizontally as a whole and are independent. More than three sets of signal lights and a set of three-color or two-color countdown timers can be set at the same time. The cantilever can hang ban signs. The signal light is installed horizontally with a clearance height of 5.5m.







-  Flexible installation
-  Quality assurance
-  Support customization
-  Efficient professional

Frame type signal light pole

A frame-type signal light pole includes a base, a column fixed on the base, and a frame arm vertically connected to the column. The frame arm includes an upper crossbar and a lower crossbar. The upper crossbar and the lower crossbar are in a parallel setting.

We supply hexagonal, octagonal, and polygonal unequal-sided tapered long arms; there are a wide variety of rods, including conical, equal-diameter, and rectangular long arms.







-  Flexible installation
-  Quality assurance
-  Support customization
-  Efficient professional



Integrated signal light pole

The integrated traffic signal light source uses imported super-large high-brightness LEDs, and the light housing is made of disposable aluminum die-casting or engineering plastic injection molding. The light pole is made of high-quality steel plates and is hot-dip galvanized and sprayed with plastic on the surface. The appearance is beautiful and generous, which can greatly improve the city image. It is outdoor powder-coated. The height and specifications can be customized according to customer requirements. It is more suitable for local people's habits and the construction cost is also greatly reduced. At the same time, it can be used as an advertising space or traffic reminder on the back. . . Integrated signal lights are mainly installed in places with a large number of pedestrians, such as intersections, both ends of crosswalks, sections where blind people are concentrated, school and hospital intersections, etc.

-  Flexible installation
-  Quality assurance
-  Support customization
-  Efficient professional



Technical Parameters

Lamp Diameter	300mm/400mm
Chroma	Red (620-625) Green (504-508) Yellow (590-595)
Working Power	DC12V-24V or AC187V-253V 50HZ
Rated Power	300mm<10w, 400mm<20w
Light Source Service Life	>10000Hour
Ambient Temperature	-40°C~+70°C
Environment Humidity	5%~98%
Degree of Protection	IP54

Signal Light Size

Product Name	Total Height	Pole Width	Pole Thickness	Specifications
300 Dual-lamp integrated light pole	3000mm	440mm	150mm	The upper couplet is a red standing figure, and the lower couplet is a green walking figure
300 Dual-lamp integrated light pole	3000mm	440mm	150mm	The upper link is a combination of a red standing figure and a green walking figure, and the lower link is a red and green two-color double-row tube countdown screen
300 Triple-lamp integrated light pole	3500mm	440mm	150mm	The upper link is a red standing figure, the middle link is a green walking figure, and the lower link is a two-color countdown
300/400 Triple-lamp integrated light pole	4500mm	350mm	150mm	Red, yellow, green three-unit three-color full screen
300, 400 Triple-lamp integrated light pole	4500mm	350mm	150mm	Red yellow green three-unit
300/400 Four-lamp integrated light pole	4500mm	350mm	150mm	Red, yellow, green three-unit three-color + one unit red-green two-color double-row tube countdown
300, 400 Six-lamp integrated light pole	6000mm	510mm	150mm	Left, straight, right, three lights, nine colors + two-color bicycle lights + two-color people + two-color countdown



Road monitoring poles electronic police

Road monitoring points are distributed at road intersections and key road sections where traffic and pedestrian flow are concentrated. Able to monitor vehicle violations on the road, promptly discover and arrange for handling of road traffic accidents, etc.

The pole body material is made of Q235 or Q345 steel. The vertical pole and cantilever are all made of octagonal pyramid pole, conical pole or equal diameter steel pipe. The pole parts are molded by a large CNC bending machine and automatically welded by submerged arc welding. The welds are all fully welded, flat and smooth without pores. Bolts, fasteners, etc. are all made of galvanized or stainless steel, and the grade is 4.8 or 8.8.

Rod configuration: main rod height 6.3~7m, wall thickness 3~16mm; cantilever length 3~15m, wall thickness 3~16mm.



Technical Parameters and Processing Technology

(1) Material: The steel material of the monitoring pole is international standard low silicon, low carbon and high strength Q235, the wall thickness is $\geq 4\text{mm}$, and the bottom flange thickness is $\geq 14\text{mm}$.

(2) Welding process: Electric welding should be used. There should be no leakage of welds on the entire rod body, the welds should be flat and there should be no welding defects.

(3) Plastic spraying process: Passivation treatment after galvanizing, good adhesion of plastic spraying, thickness $\geq 86\mu\text{m}$. The spraying adopts imported high-quality plastic powder.

(4) Design: Calculate the size of the monitoring pole structure and basic structure, and design it according to the appearance shape determined by the customer and the structural parameters of the manufacturer according to earthquake resistance level 8 and wind resistance level 12.

(5) Verticality inspection: After monitoring the upright-ness of the pole, use a theodolite to inspect the verticality of the pole in both directions. The verticality deviation is $1.0\leq\%$.

The role of lighting fixtures is not limited to lighting, but also the eyes that reflect the taste, and more often it plays a dual role. Therefore, the choice of lighting fixtures is much more complicated. It not only involves safety and energy saving, but also involves many factors such as material, type, style and taste. A good lighting may become the soul of the city at once.

LED road lights are used in road lighting and are closely related to people's production and life. With the acceleration of urbanization in our country, LED street lamps are efficient, economical and comfortable modern lighting with the advantages of directional light emission, low power consumption, good driving characteristics, fast response speed, high shock resistance, long service life and green environmental protection. system. LED has gradually entered people's field of vision and has become a new generation of energy-saving light source with the most advantages in replacing traditional light sources in the world.

Street Light

Street Light Head

Solar Integrated Light

Street Light Pole

Garden Light

LIGHTING PRODUCTS

CL-LEDLD-001

Product Characteristics

The lamp body is formed by precision casting aluminum alloy, which has high strength and strong impact resistance, and the surface is treated with electrostatic powder spraying, which has good corrosion resistance;

The chip adopts international big brand, high power, high quality, long life and high light efficiency; LED modules and driving power can be replaced separately;

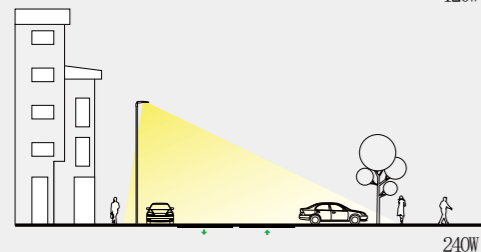
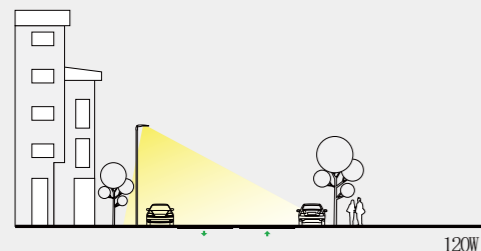
Open cover power-off protection design, safe and reliable;

Rotatable mounting sleeve to meet different installation methods;

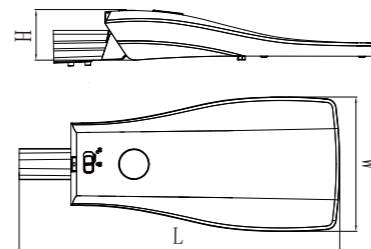
All screws are 304 stainless steel.

Product Application Place

Suitable for urban sidewalks, small roads, parks, squares, industrial parks, tourist attractions, high-end residential areas and other landscape lighting.

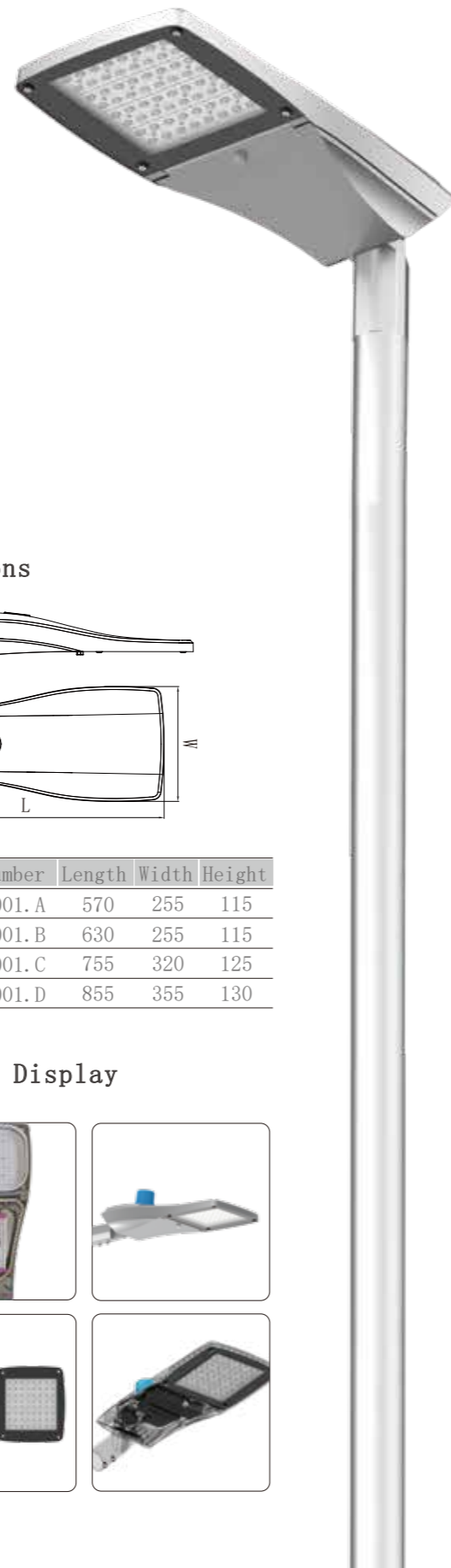


Dimensions



Product Number	Length	Width	Height
CL-LEDLD-001.A	570	255	115
CL-LEDLD-001.B	630	255	115
CL-LEDLD-001.C	755	320	125
CL-LEDLD-001.D	855	355	130

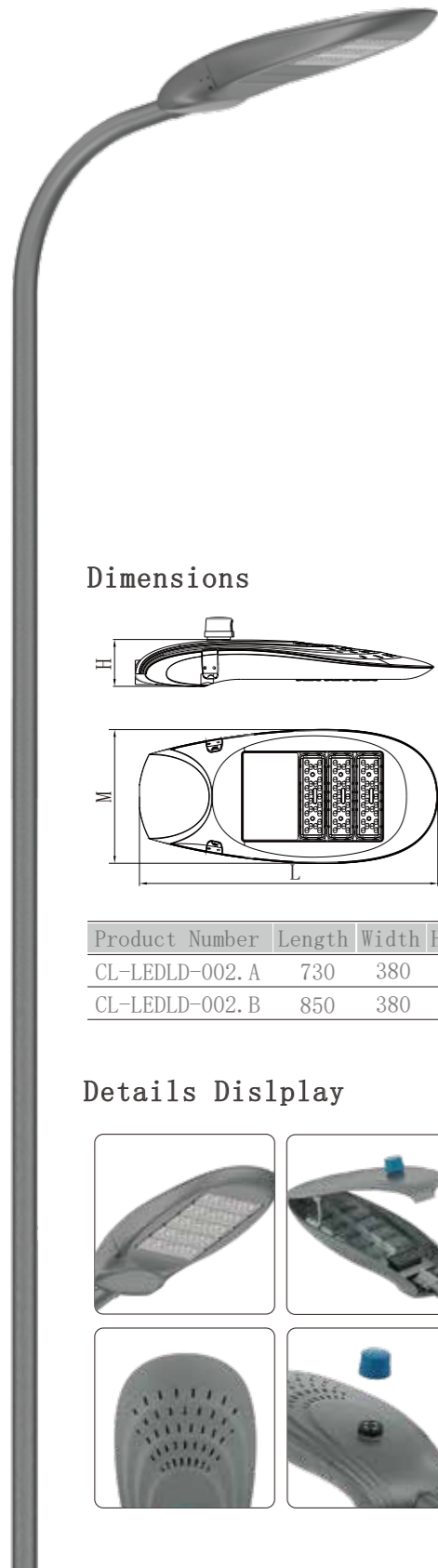
Details Display



Product Specifications

Product Number	CL-LEDLD-001. A/B/C/D
System Power	30W-300W
Light Source	LUNILEDS/CREE
LED Life	50000H
LED Color Temperature	3000K/4000K/5700K
Light Effect	>130Lm/W
Shell Material	Aluminum die-cast lamp body High transmittance tempered glass
Input Voltage	AC100V~305V
LED Driving Method	Constant Current Drive
Degree of Protection	IP65
Cable	Outdoor special rubber cable
Power Factor	>0.95
Ambient Temperature	-30℃~50℃





CL-LEDLD-002

Product Characteristics

The lamp body is formed by precision casting aluminum alloy, which has high strength and strong impact resistance, and the surface is treated with electrostatic powder spraying, which has good corrosion resistance;

The chip adopts international big brand, high power, high quality, long life and high light efficiency; LED modules and driving power can be replaced separately;

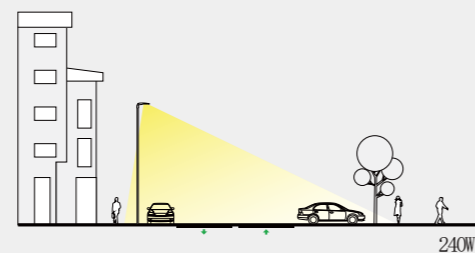
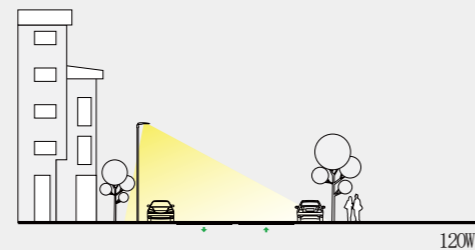
Open cover power-off protection design, safe and reliable;

Rotatable mounting sleeve to meet different installation methods;

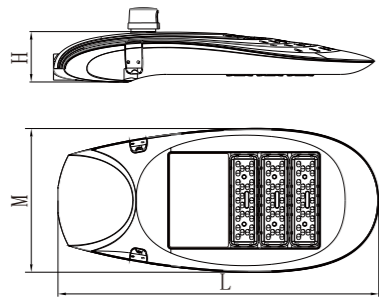
All screws are 304 stainless steel.

Product Application

Suitable for urban sidewalks, small roads, parks, squares, industrial parks, tourist attractions, high-end residential areas and other landscape lighting.



Dimensions



Product Number	Length	Width	Height
CL-LEDLD-002.A	730	380	133
CL-LEDLD-002.B	850	380	133

Details Display



Product Specifications

Product Number	CL-LEDLD-002. A/B
System Power	80W-300W
Light Source	LUNILEDS/CREE
LED Life	50000H
LED Color Temperature	3000K/4000K/5700K
Light Effect	>130Lm/W
Shell Material	Aluminum die-cast lamp body, acrylic lens
Input Voltage	AC100V~305V
LED Drive Mode	Constant current drive
Degree of Protection	IP65
Cable	Outdoor special rubber cable
Power Factor	>0.95
Ambient Temperature	-30℃~50℃



CL-LEDLD-003

Product Characteristics

The lamp body is formed by precision casting aluminum alloy, which has high strength and strong impact resistance, and the surface is treated with electrostatic powder spraying, which has good corrosion resistance;

The chip adopts international big brand, high power, high quality, long life and high light efficiency; LED modules and driving power can be replaced separately;

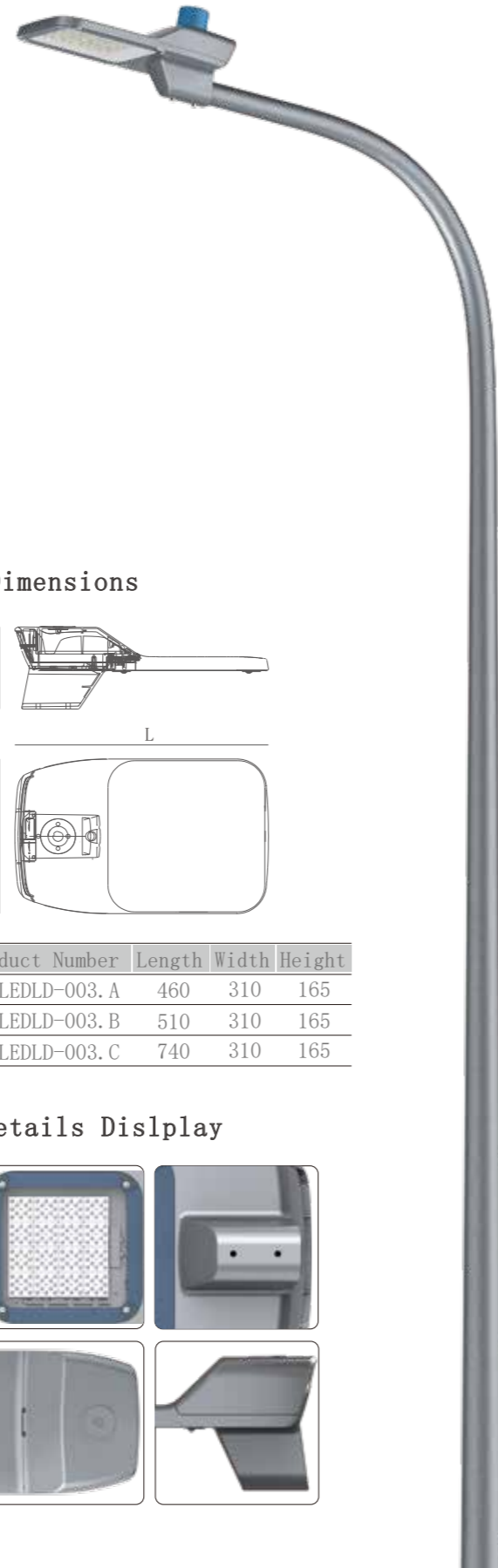
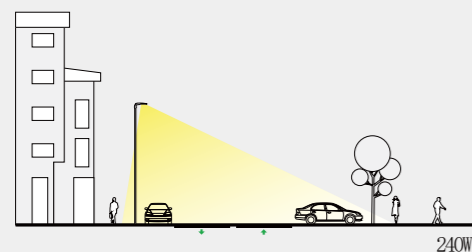
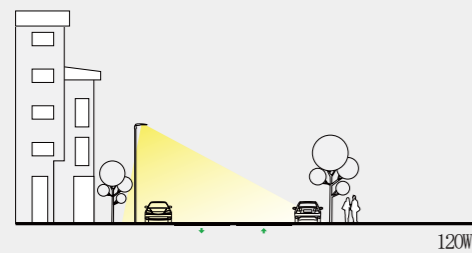
Open cover power-off protection design, safe and reliable;

Rotatable mounting sleeve to meet different installation methods;

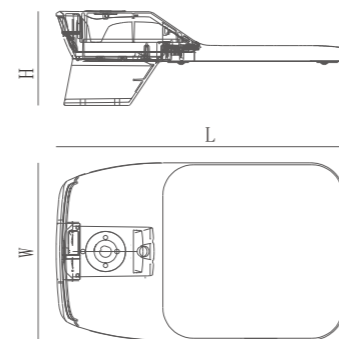
All screws are 304 stainless steel.

Product Application

Suitable for urban sidewalks, small roads, parks, squares, industrial parks, tourist attractions, high-end residential areas and other landscape lighting.



Dimensions



Product Number	Length	Width	Height
CL-LEDLD-003.A	460	310	165
CL-LEDLD-003.B	510	310	165
CL-LEDLD-003.C	740	310	165

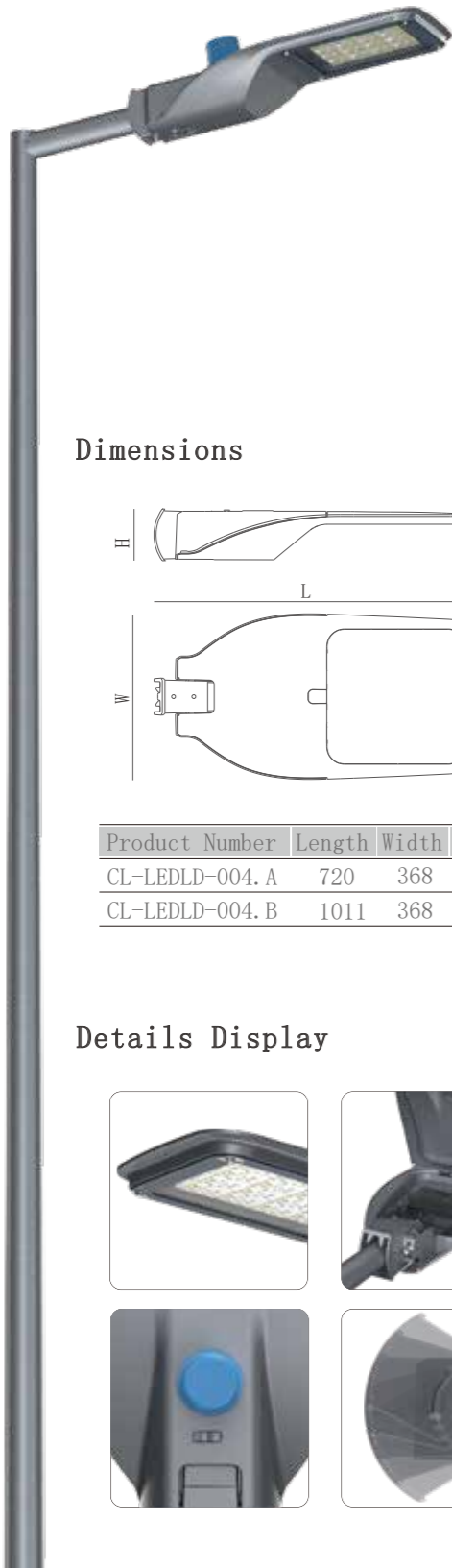
Details Display



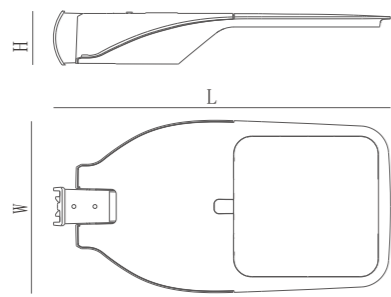
Product Specifications

Product Number	CL-LEDLD-003.A/B/C
System Power	80W-300W
Light Source	LUNILEDS/CREE
LED Life	50000H
LED Color Temperature	3000K/4000K/5700K
Light Effect	>130Lm/W
Shell Material	Aluminum die-cast lamp body High transmittance tempered glass
Input Voltage	AC100V~305V
LED Driving Method	Constant Current Drive
Degree of Protection	IP66
Cable	Outdoor special rubber cable
Power Factor	>0.95
Ambient Temperature	-30°C~50°C





Dimensions



Product Number	Length	Width	Height
CL-LEDLD-004.A	720	368	115
CL-LEDLD-004.B	1011	368	115

Details Display



CL-LEDLD-004

Product Characteristics

The lamp body is formed by precision casting aluminum alloy, which has high strength and strong impact resistance, and the surface is treated with electrostatic powder spraying, which has good corrosion resistance;

The chip adopts international big brand, high power, high quality, long life and high light efficiency; LED modules and driving power can be replaced separately;

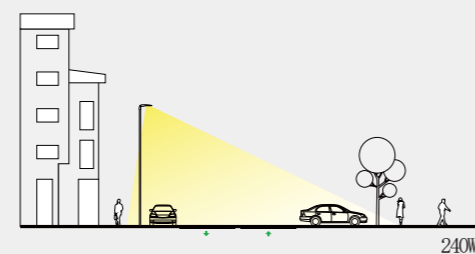
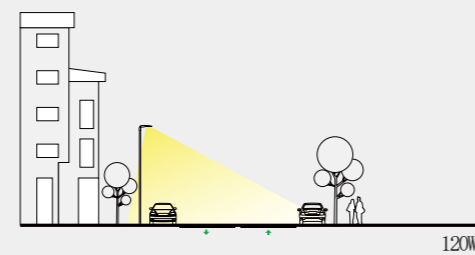
Open cover power-off protection design, safe and reliable;

Rotatable mounting sleeve to meet different installation methods;

All screws are 304 stainless steel.

Product Application

Suitable for urban sidewalks, small roads, parks, squares, industrial parks, tourist attractions, high-end residential areas and other landscape lighting.



Product Specifications

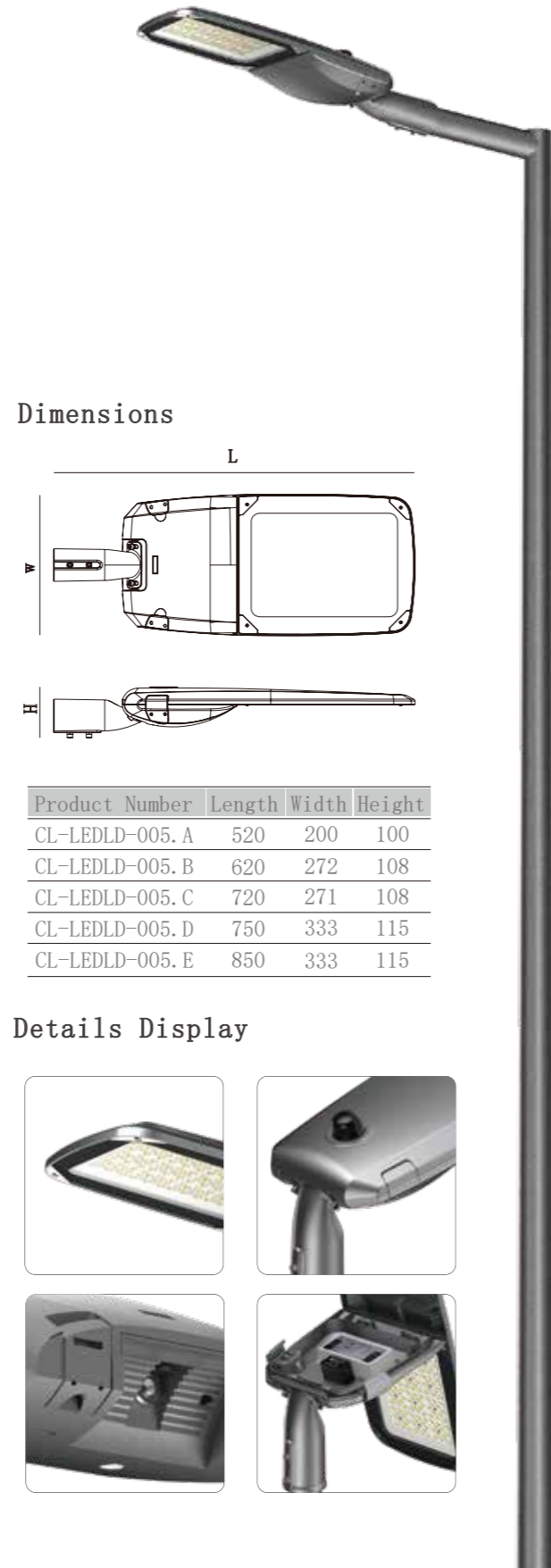
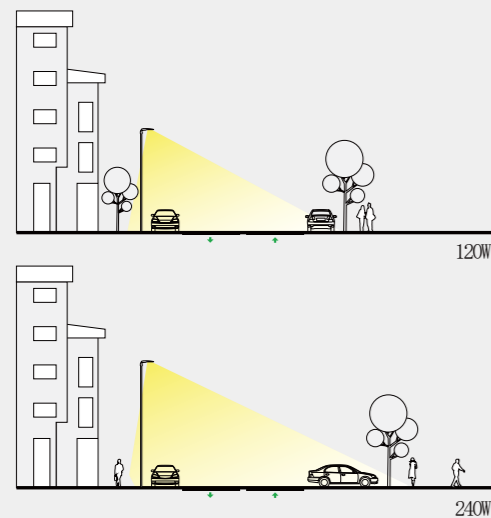
Product Number	CL-LEDLD-004. A/B
System Power	80W-300W
Light Source	LUNILEDS/CREE
LED Life	50000H
LED Color Temperature	3000K/4000K/5700K
Light Effect	>130Lm/W
Shell Material	Aluminum die-cast lamp body High transmittance tempered glass
Input Voltage	AC100V~305V
LED Driving Method	Constant Current Drive
Degree of Protection	IP66
Cable	Outdoor special rubber cable
Power Factor	>0.95
Ambient Temperature	-30℃~50℃



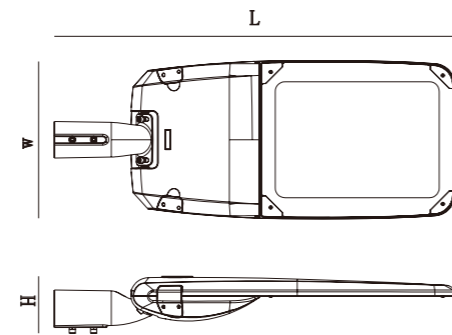
CL-LEDLD-005

Product Characteristics

This outdoor lighting solution is designed to be versatile. Its operational range spans from -30° C to +50° C, ensuring reliable performance even in challenging weather conditions. The installation and maintenance processes are hassle-free, offering convenience to users. Powered by a high-quality chip, it guarantees exceptional illumination and longevity, with minimal light fading over time. Its durability is unquestionable, supported by efficient heat dissipation and a design that resists wear. The adjustable angle feature adds to its adaptability, meeting various lighting requirements.



Dimensions



Product Number	Length	Width	Height
CL-LEDLD-005.A	520	200	100
CL-LEDLD-005.B	620	272	108
CL-LEDLD-005.C	720	271	108
CL-LEDLD-005.D	750	333	115
CL-LEDLD-005.E	850	333	115

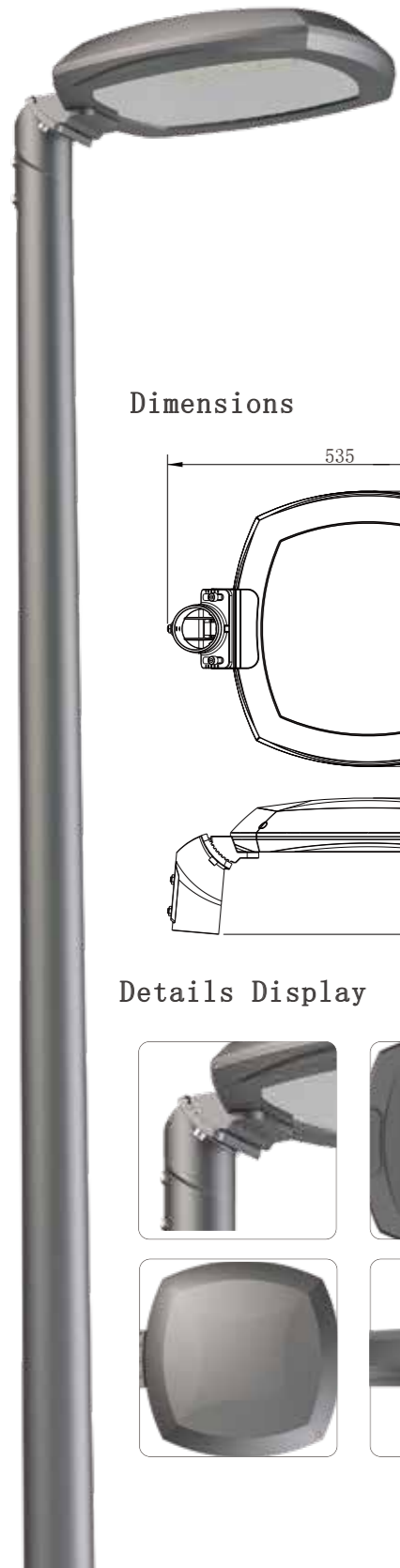
Details Display



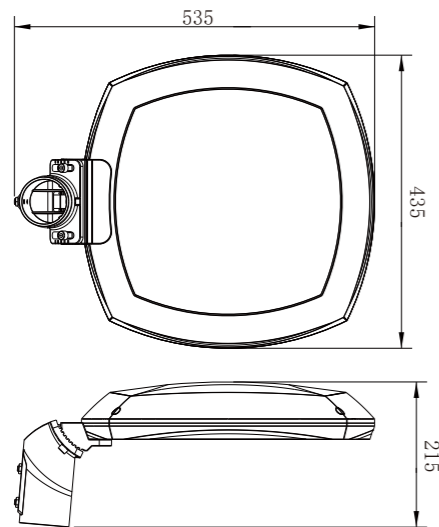
Product Specifications

Product Number	CL-LEDLD-005.A/B/C/D/E
System Power	80W-300W
Light Source	LUNILEDS/CREE
LED Life	50000H
LED Color Temperature	3000K/4000K/5700K
Light Effect	>130Lm/W
Shell Material	Aluminum die-cast lamp body High transmittance tempered glass
Input Voltage	AC100V~305V
LED Driving Method	Constant Current Drive
Degree of Protection	IP65
Cable	Outdoor special rubber cable
Power Factor	>0.95
Ambient Temperature	-20°C~45°C





Dimensions



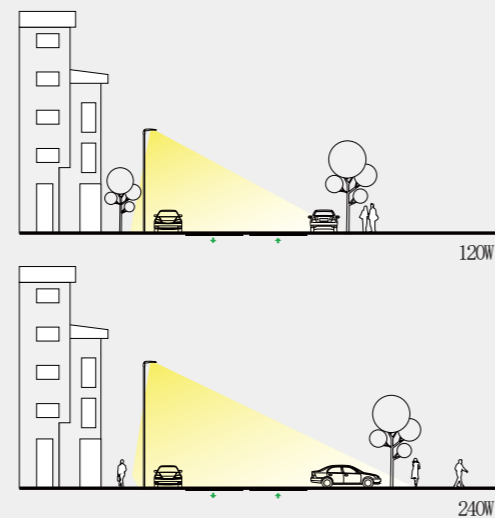
Details Display



CL-LEDLD-006

Product Characteristics

Simple and elegant appearance, double sleeve installation design-vertical sleeve type
Features hidden screw design, beautiful and durable;
The lamp holder is assembled by high-strength aluminum die-casting parts;
High-efficiency heat dissipation design of the lamp body, classic spraying on the surface, strong corrosion resistance, long-lasting durability;
The lampshade is made of high-efficiency transparent glass material;
A variety of optical angles are suitable for different application places and installation environ-



Product Specifications

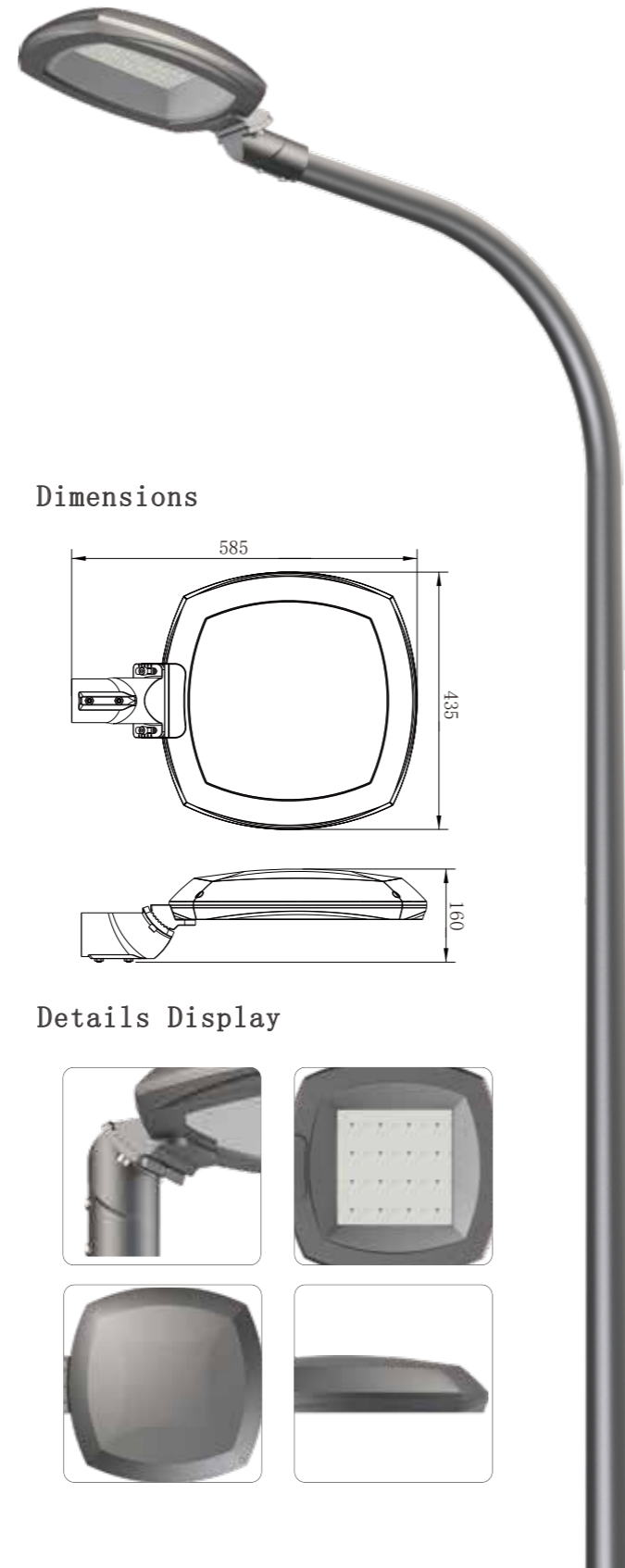
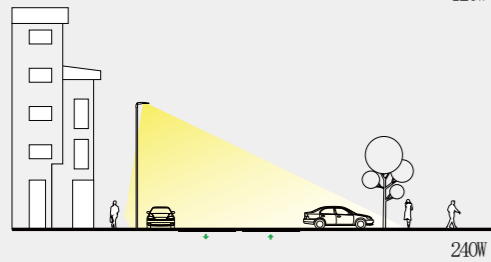
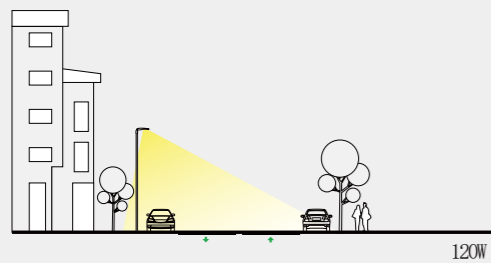
Product Number	CL-LEDLD-006
System Power	80W-300W
Light Source	LUNILEDS/CREE
LED Life	50000H
LED Color Temperature	3000K/4000K/5700K
Light Effect	>130Lm/W
Shell Material	Aluminum die-cast lamp body High transmittance tempered glass
Input Voltage	AC100V~305V
LED Driving Method	Constant Current Drive
Degree of Protection	IP67
Cable	Outdoor special rubber cable
Power Factor	>0.95
Ambient Temperature	-35℃~70℃



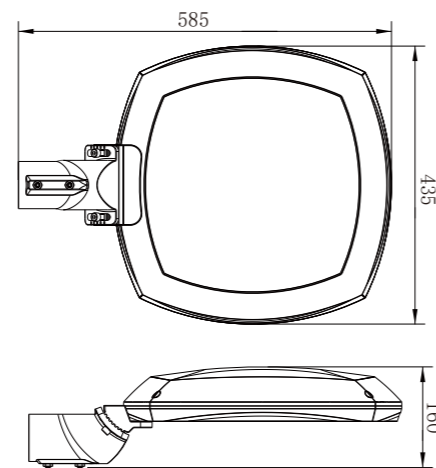
CL-LEDLD-007

Product Characteristics

Simple and elegant appearance, double sleeve installation design-horizontal sleeve type, characteristic screw hidden design, beautiful and durable;
The lamp holder is assembled by high-strength aluminum die-casting parts;
High-efficiency heat dissipation design of the lamp body, classic spraying on the surface, strong corrosion resistance, long-lasting durability;
The lampshade is made of high-efficiency transparent glass material;
A variety of optical angles are suitable for different application places and installation environments.



Dimensions



Details Display

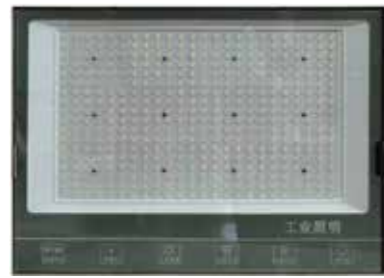


Product Specifications

Product Number	CL-LEDLD-007
System Power	80W-300W
Light Source	LUNILEDS/CREE
LED Life	50000H
LED Color Temperature	3000K/4000K/5700K
Light Effect	>130Lm/W
Shell Material	Aluminum die-cast lamp body High transmittance tempered glass
Input Voltage	AC100V~305V
LED Driving Method	Constant Current Drive
Degree of Protection	IP67
Cable	Outdoor special rubber cable
Power Factor	>0.95
Ambient Temperature	-35°C~70°C



Our street lamp head is the perfect choice for urban lighting. Designed beautifully with a modern look, it provides efficient and uniform illumination for roads and sidewalks. Each lamp head utilizes advanced LED technology, ensuring energy efficiency and providing bright and comfortable lighting. Whether it's city roads or suburban streets, our street lamp head creates a safe and bright nighttime environment.



CL-LEDDT-001



CL-LEDDT-002



CL-LEDDT-003



CL-LEDDT-004



CL-LEDDT-005



CL-LEDDT-006



CL-LEDDT-007



CL-LEDDT-008



CL-SILD-001

This innovative product combines efficient solar panels with energy-saving LED light sources, offering you a lasting lighting solution while reducing reliance on traditional electricity. This integrated solar light boasts a weather-resistant housing, suitable for various harsh weather conditions. Whether in remote villages or outdoor open spaces, it's an eco-friendly and cost-effective choice.

Other Colors



Other Styles



Details Display



Design Concept

Strong structure, good shock resistance, high strength, anti-corrosion, the surface is sprayed with outdoor professional plastic powder to ensure that the lamp can work in severe outdoor environments;
Patent heat dissipation technology, effectively control the working temperature of LED light source, further improve light efficiency and prolong service life;
High strength and high light transmittance lens, high temperature resistance, aging resistance, yellowing resistance;
The main light source adopts international brand chip package LED, high power, high light efficiency.



A variety of solar integrated
light holders

Various styles and designs of lamp
heads, including traditional
styles and modern ideas, provide
you with a variety of choices.



CL-SILD-004



CL-SILD-005



CL-SILD-006



CL-SILD-007



CL-SILD-008



CL-SILD-009



CL-SILD-010



CL-SILD-011



CL-SILD-012



CL-SILD-013

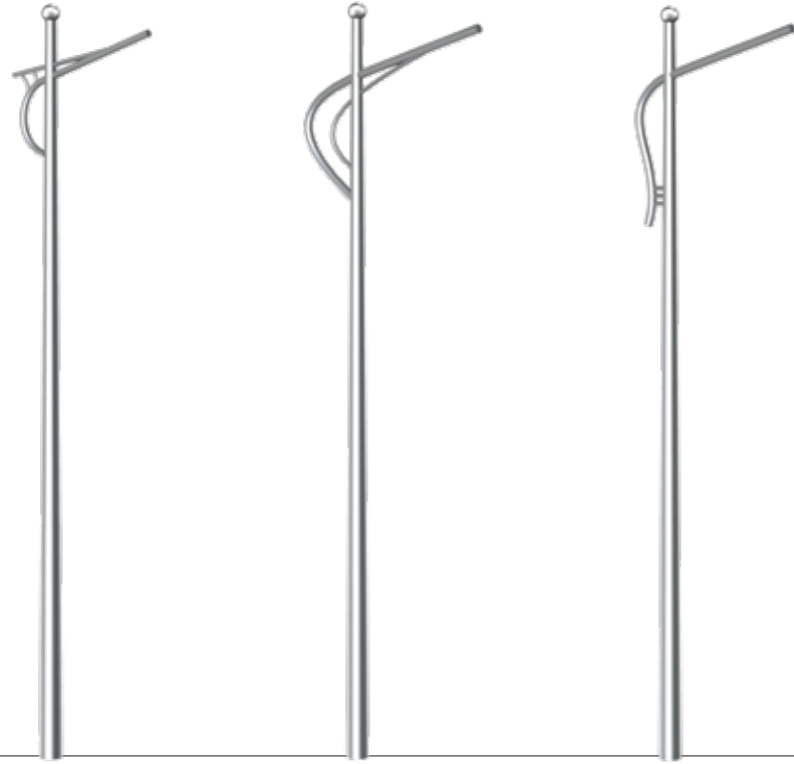


CL-SILD-014

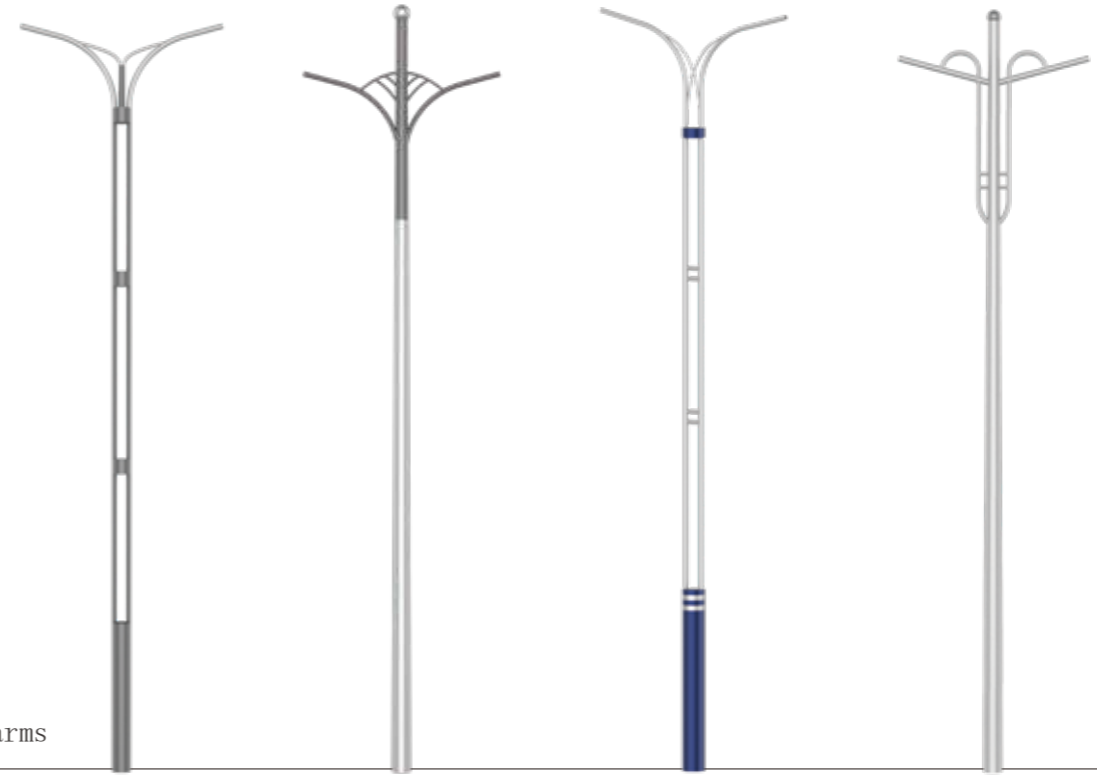
Product Light Pole Selection

120W-300W
Height:

Single arm



Double arms



120W-300W
Height:

Single arm



Double arms



CL-TYD-001

Product Characteristics

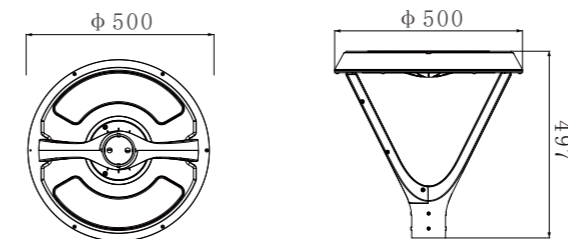
The overall design concept takes the disc as its inspiration, with a round and beautiful shape. The outer contours of the lamp are outlined with simple lines, integrating the combination of point, line, and surface elements in aesthetics. The lamp body is made of high-pressure die-cast aluminum, which has strong corrosion resistance. The module is designed for high-efficiency heat dissipation and durability.



Product Specifications

Product Number	CL-TYD-001.A	CL-TYD-001.B
Rated Power	30W-100W	20W
System Voltage	AC 100-305V	DC 5-30V
Lithium Battery	/	3.2V/40AH
Solar Panel	/	25W
Controller	/	3.2V/20W
Frequency Range	50/60HZ	/
Type of Light Source	LUMILEDS、CREE	
Light Distribution Type	Lambertian light distribution	
Light Effect	>130Lm/W	
Color Temperature	3000K/-6500K	
CRI	\geq Ra70	
IP Rating	IP66	
IK Grade	IK08	
Working Temperature	$-10^\circ\text{C}\sim+90^\circ\text{C}$	
LED Life	>50000H	
Installation Pipe Diameter	ϕ 76mm	
Installation Height	3m-6m	

Product Dimensions



Details Display



Top view of solar model

Bottom view

Top view of mains model

CL-TYD-002

Product Characteristics

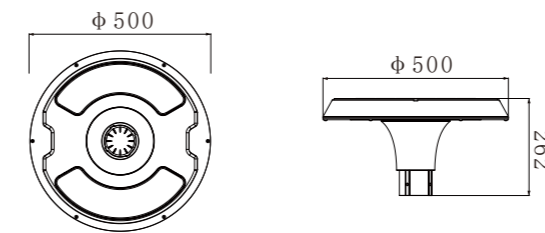
The overall design concept takes the disc as its inspiration, with a round and beautiful shape. The outer contours of the lamp are outlined with simple lines, integrating the combination of point, line, and surface elements in aesthetics. The lamp body is made of high-pressure die-cast aluminum, which has strong corrosion resistance. The module is designed for high-efficiency heat dissipation and durability.



Product Specifications

Product Number	CL-TYD-002. A	CL-TYD-002. B
Rated Power	30W-100W	20W
System Voltage	AC 100-305V	DC 5-30V
Lithium Battery	/	3.2V/40AH
Solar Panel	/	25W
Controller	/	3.2V/20W
Frequency Range	50/60HZ	/
Type of Light Source	LUMILEDS , CREE	
Light Distribution Type	Lambertian light distribution	
Light Effect	>130Lm/W	
Color Temperature	3000K/-6500K	
CRI	≥Ra70	
IP Rating	IP66	
IK Grade	IK08	
Working Temperature	-35° -+70° /-10° ~+60	
LED Life	>50000H	
Installation Pipe Diameter	φ 76mm	
Installation Height	3m-6m	

Product Dimensions



Details Display



Top view of solar model

Bottom view

Top view of mains model

CL-TYD-003

Product Characteristics

The lamp body is made of precision casting aluminum alloy, High strength, strong impact resistance, The surface is treated by electrostatic powder spraying, which has good corrosion resistance; The diamond mirror cover is made of anti-ultraviolet milky white polycarbonate. Excellent optical performance, with uniform light distribution; All screws are made of 304 stainless steel.

Product Dimensions

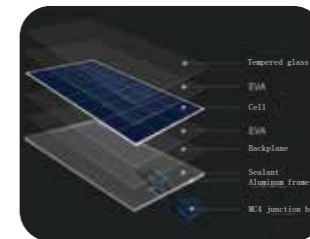


Product Specifications

Product Number	CL-TYD-003
Rated Power	15W-20W
System Voltage	DC3.2V
Lithium Battery	3.2V/40AH
Solar Panel	6V/30W
Type of Light Source	LUMILEDS、CREE
Light Distribution Type	Lambertian light distribution
Light Effect	>130Lm/W
Color Temperature	3000K/4000K/5700K/6500K
CRI	≥Ra70
IP Rating	IP65
IK Grade	IK08
Working Temperature	-10℃~+60℃
LED Life	>50000H
Controller	/
Installation Pipe Diameter	φ 76mm
Lamp Size	580x380x320mm
Installation Height	3m/3.5m

Details Display

High-efficiency solar panels



Lithium iron phosphate battery

Smart controller



Power switch design

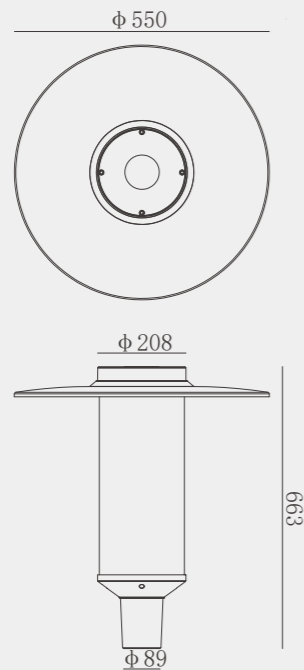
Custom nano reflector design



LED chip



Dimensions



• Colour: ■ ■ ■

CL-TYD-004

Product Characteristics

- 2 specifications of series products
- IP65 waterproof rating
- IK 08 crash rating
- The lamp body is made of high-pressure die-casting aluminum
- The light source adopts bat wing light distribution lens
- 304 stainless steel screws
- Optional light controller element

Model Number	CL-TYD-004
Rated Power	30W-50W
Input Voltage	AC 100-305V
Type of Light Source	LUMILEDS、CREE
Frequency Range	50/60Hz
Color Temperature	3000K ~ 6500K
Power Factor	>0.95
CRI	>Ra70
Working Temperature	-35~50°C
Working Humidity	10~90%
LED Lamp Bead Effect	>130Lm/W
LED Life	>50000H
Waterproof Grade	IP65
Installation Height	3~5m
Lamp Size	φ 385×1706mm



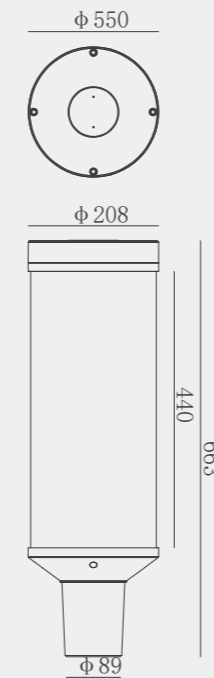
CL-TYD-005

Product Characteristics

- 2 specifications of series products
- IP65 waterproof rating
- IK 08 crash rating
- The lamp body is made of high-pressure die-casting aluminum
- The light source adopts bat wing light distribution lens
- 304 stainless steel screws
- Optional light controller element

Model Number	CL-TYD-005
Rated Power	30W-50W
Input Voltage	AC 100-305V
Type of Light Source	LUMILEDS、CREE
Frequency Range	50/60Hz
Color Temperature	3000K ~ 6500K
Power Factor	>0.95
CRI	>Ra70
Working Temperature	-35~50°C
Working Humidity	10~90%
LED Lamp Bead Effect	>130Lm/W
LED Life	>50000H
Waterproof Grade	IP65
Installation Height	3~5m
Lamp Size	φ 208×663mm

Product Dimensions



• Colour: ■ ■ ■



CL-TYD-006

Product Characteristics

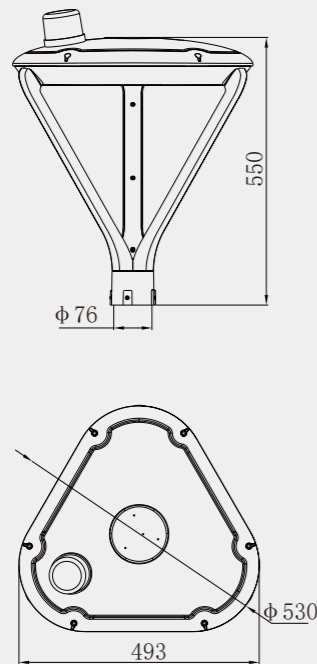
The lamp body adopts a die-casting aluminum process for one-time molding. The modular design can choose the power according to the customer's requirements.

It is more conducive to LED heat dissipation and improves the life of the lamp.

The lampshade is made of ultra-white high-transmittance tempered glass; The fasteners are made of stainless steel, which is not easy to rust.

Model Number	CL-TYD-006
Rated Power	30W-100W
Input Voltage	DC 30-48V
Type of Light Source	LUMILEDS、CREE
Frequency Range	50/60Hz
Color Temperature	3000K/4000K/5000K/5700K
Power Factor	>0.90
CRI	>Ra70
Working Temperature	-10~60°C
Working Humidity	10~90%
LED Lamp Bead Effect	>130Lm/W
LED Life	>50000H
Waterproof Grade	IP65
Installation Height	3~6m
Lamp Size	φ 493×550mm

Product Dimensions



CL-TYD-007

Product Characteristics

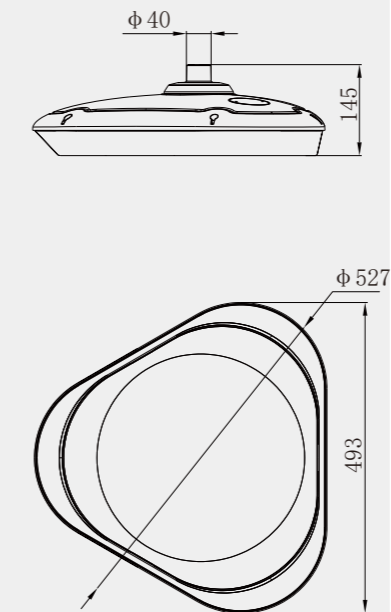
The lamp body adopts a die-casting aluminum process for one-time molding. The modular design can choose the power according to the customer's requirements.

It is more conducive to LED heat dissipation and improves the life of the lamp.

The lampshade is made of ultra-white high-transmittance tempered glass; The fasteners are made of stainless steel, which is not easy to rust.

Model Number	CL-TYD-007
Rated Power	30W-100W
Input Voltage	DC 30-48V
Type of Light Source	LUMILEDS、CREE
Frequency Range	50/60Hz
Color Temperature	3000K/4000K/5000K/5700K
Power Factor	>0.90
CRI	>Ra70
Working Temperature	-10~60°C
Working Humidity	10~90%
LED Lamp Bead Effect	>130Lm/W
LED Life	>50000H
Waterproof Grade	IP65
Installation Height	3~6m
Lamp Size	φ 493×145mm

Dimensions



CL-TYD-008



CL-TYD-009



Product Characteristics

The lamp holder is assembled by high-strength die-casting aluminum. The lampshade is made of pc or pmma or ps material.

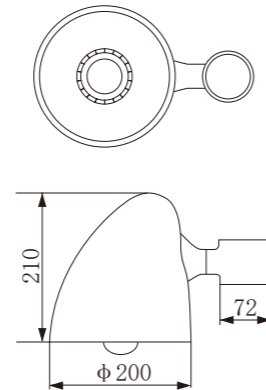
The fasteners are all stainless steel.

Applications

It is suitable for trail lighting and public activity space lighting in squares, scenic spots, parks, commercial blocks, parks, residences and other areas in modern cities.



Dimensions



Specifications

Model Number	CL-TYD-008
Rated Power	30W-100W
Input Voltage	AC 100-305V
Type of Light Source	LUMILEDS、CREE
Frequency Range	50/60Hz
Color Temperature	3000K ~ 6500K
Power Factor	>0.95
CRI	≥Ra70
Working Temperature	-35~70℃
Working Humidity	10~90%
LED Lamp Bead Effect	>130Lm/W
LED Life	>50000H
Waterproof Grade	IP65
Pipe Diameter	φ 115mm
Installation Height	3~5m
Lamp Size	φ 200×210mm

Product Characteristics

The lamp holder is assembled by high-strength die-casting aluminum. The lampshade is made of pc or pmma or ps material.

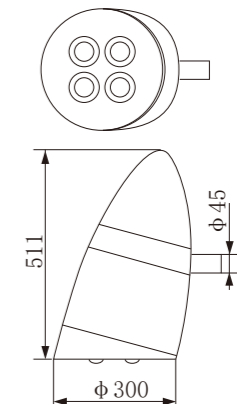
The fasteners are all stainless steel.

Applications

It is suitable for trail lighting and public activity space lighting in squares, scenic spots, parks, commercial blocks, parks, residences and other areas in modern cities.



Dimensions



Specifications

Model Number	CL-TYD-009
Rated Power	30W-100W
Input Voltage	AC 100-305V
Type of Light Source	LUMILEDS、CREE
Frequency Range	50/60Hz
Color Temperature	3000K ~ 6500K
Power Factor	>0.95
CRI	≥Ra70
Working Temperature	-35~70℃
Working Humidity	10~90%
LED Lamp Bead Effect	>130Lm/W
LED Life	>50000H
Waterproof Grade	IP65
Pipe Diameter	φ 115mm
Installation Height	3~5m
Lamp Size	φ 300×511mm

CL-TYD-010



CL-TYD-011



Product Characteristics

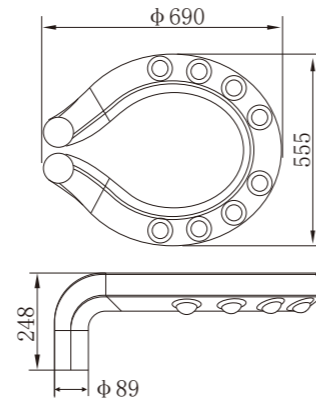
The lamp holder is assembled by high-strength die-casting aluminum. The lampshade is made of pc or pmma or ps material. The fasteners are all stainless steel.

Applications

It is suitable for trail lighting and public activity space lighting in squares, scenic spots, parks, commercial blocks, parks, residences and other areas in modern cities.



Dimensions



Specifications

Model Number	CL-TYD-010
Rated Power	30W-100W
Input Voltage	AC 90-295V
Type of Light Source	LUMILEDS、CREE
Frequency Range	50/60Hz
Color Temperature	3000K ~ 6500K
Power Factor	>0.95
CRI	≥Ra70
Working Temperature	-35~70℃
Working Humidity	10~90%
LED Lamp Bead Effect	>130Lm/W
LED Life	>50000H
Waterproof Grade	IP65
Pipe Diameter	φ 89mm
Installation Height	3~5m
Lamp Size	690×555×248mm

Product Characteristics

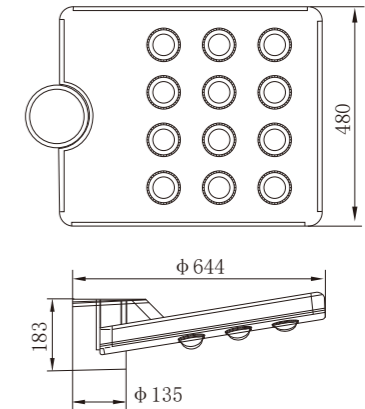
The lamp holder is assembled by high-strength die-casting aluminum. The lampshade is made of pc or pmma or ps material. The fasteners are all stainless steel.

Applications

It is suitable for trail lighting and public activity space lighting in squares, scenic spots, parks, commercial blocks, parks, residences and other areas in modern cities.



Dimensions



Specifications

Model Number	CL-TYD-011
Rated Power	30W-60W
Input Voltage	AC 90-295V
Type of Light Source	LUMILEDS、CREE
Frequency Range	50/60Hz
Color Temperature	3000K ~ 6500K
Power Factor	>0.95
CRI	≥Ra70
Working Temperature	-35~70℃
Working Humidity	10~90%
LED Lamp Bead Effect	>130Lm/W
LED Life	>50000H
Waterproof Grade	IP65
Pipe Diameter	φ 135mm
Installation Height	3~5m
Lamp Size	644×480×183mm



CL-TYD-012



Product Characteristics

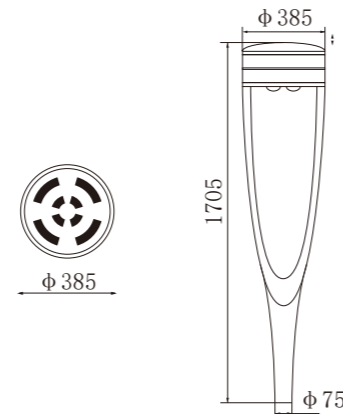
The lamp holder is assembled by high-strength die-casting aluminum. The lampshade is made of pc or pmma or ps material. The fasteners are all stainless steel.

Applications

It is suitable for trail lighting and public activity space lighting in squares, scenic spots, parks, commercial blocks, parks, residences and other areas in modern cities.



Dimensions



Specifications

Model Number	CL-TYD-012
Rated Power	30W-60W
Input Voltage	AC 90-295V
Type of Light Source	LUMILEDS、CREE
Frequency Range	50/60Hz
Color Temperature	3000K ~ 6500K
Power Factor	>0.95
CRI	\geq Ra70
Working Temperature	-35~70°C
Working Humidity	10~90%
LED Lamp Bead Effect	>130Lm/W
LED Life	>50000H
Waterproof Grade	IP65
Pipe Diameter	$\phi 75$ mm
Installation Height	3~5m
Lamp Size	$\phi 385 \times 1706$ mm



CL-TYD-013



Product Characteristics

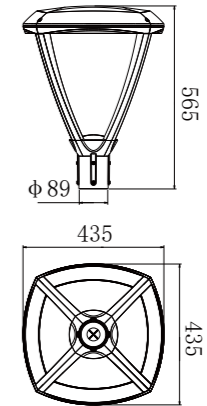
The lamp holder is assembled by high-strength die-casting aluminum. The lampshade is made of pc or pmma or ps material. The fasteners are all stainless steel.

Applications

It is suitable for trail lighting and public activity space lighting in squares, scenic spots, parks, commercial blocks, parks, residences and other areas in modern cities.



Dimensions

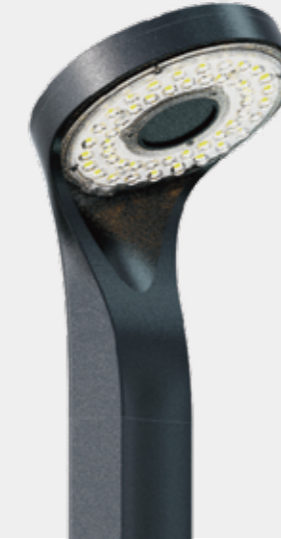


Specifications

Model Number	CL-TYD-013
Rated Power	30W-80W
Input Voltage	AC 100-305V
Type of Light Source	LUMILEDS、CREE
Frequency Range	50/60Hz
Color Temperature	3000K ~ 6500K
Power Factor	>0.95
CRI	\geq Ra70
Working Temperature	-35~70°C
Working Humidity	10~90%
LED Lamp Bead Effect	>130Lm/W
LED Life	>50000H
Waterproof Grade	IP67
Pipe Diameter	$\phi 76$ mm
Installation Height	3~5m
Lamp Size	$\phi 435 \times 435 \times 565$ mm



CL-TYD-014



CL-TYD-015



Product Characteristics

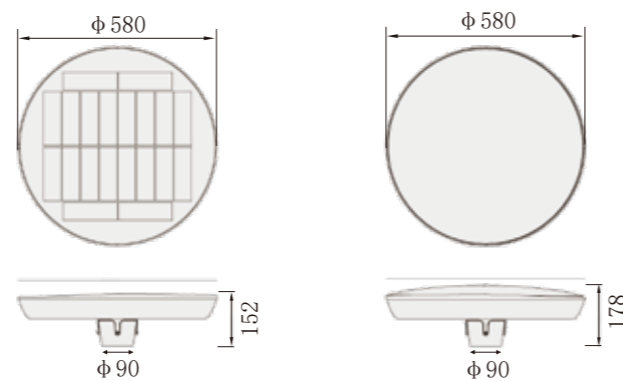
The lamp holder is assembled by high-strength die-casting aluminum. The lampshade is made of pc or pmma or ps material. The fasteners are all stainless steel.

Applications

It is suitable for trail lighting and public activity space lighting in squares, scenic spots, parks, commercial blocks, parks, residences and other areas in modern cities.



Dimensions



Specifications

Model Number	CL-TYD-014
Rated Power	30W-50W/20W
Input Voltage	AC100-305V/DC3.2V
Type of Light Source	LUMILEDS、CREE
Frequency Range	50/60Hz
Color Temperature	3000K ~ 6500K
Power Factor	>0.95
CRI	≥Ra70
Working Temperature	-35~70°C
Working Humidity	10~90%
LED Lamp Bead Effect	>130Lm/W
LED Life	>50000H
Waterproof Grade	IP65
Pipe Diameter	/
Installation Height	3~5m/3~3.5m
Lamp Size	φ925×260×480mm

Product Characteristics

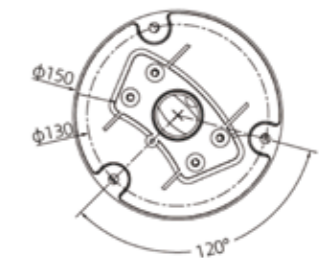
The lamp holder is assembled by high-strength die-casting aluminum. The lampshade is made of pc or pmma or ps material. The fasteners are all stainless steel.

Applications

It is suitable for trail lighting and public activity space lighting in squares, scenic spots, parks, commercial blocks, parks, residences and other areas in modern cities.



Dimensions



Specifications

Model Number	CL-TYD-013
Rated Power	20W-60W/2W-3W
Input Voltage	AC100-305V/DC3.2V
Type of Light Source	LUMILEDS、CREE
Frequency Range	50/60Hz
Color Temperature	3000K ~ 6500K
Power Factor	>0.95
CRI	≥Ra70
Working Temperature	-35~70°C
Working Humidity	10~90%
LED Lamp Bead Effect	>130Lm/W
LED Life	>50000H
Waterproof Grade	IP67
Pipe Diameter	/
Installation Height	1~3m
Lamp Size	φ175×180mm



PROFESSIONAL SERVICE PROVIDER